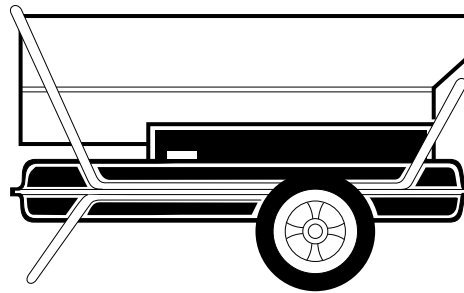
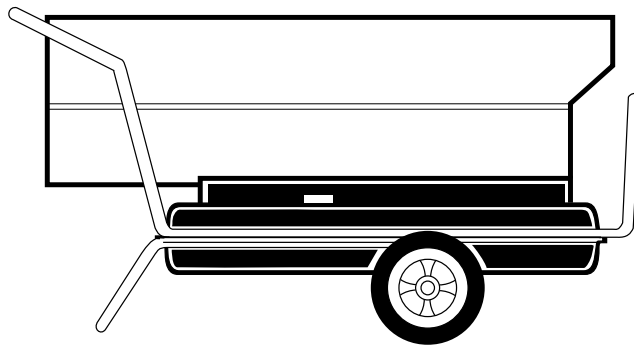


HIGH PRESSURE PORTABLE FORCED AIR HEATERS

OWNER'S MANUAL



Heater Sizes: 350,000 and 600,000 Btu/Hr
Models: B350D and B600D

IMPORTANT: Read and understand this manual before assembling, starting, or servicing heater. Improper use of heater can cause serious injury. Keep this manual for future reference.




HIGH PRESSURE PORTABLE FORCED AIR HEATER 350,000 AND 600,000 BTU/HR

SAFETY INFORMATION

WARNINGS

IMPORTANT: Read this Owner's Manual carefully and completely before trying to assemble, operate, or service this heater. Improper use of this heater can cause serious injury or death from burns, fire, explosion, electrical shock, and carbon monoxide poisoning.

 DANGER: Carbon monoxide poisoning may lead to death!

Carbon Monoxide Poisoning: Early signs of carbon monoxide poisoning resemble the flu, with headaches, dizziness, and/or nausea. If you have these signs, the heater may not be working properly. **Get fresh air at once!** Have heater serviced. Some people are more affected by carbon monoxide than others. These include pregnant women, persons with heart or lung disease or anemia, those under the influence of alcohol, and those at high altitudes.

Make certain you read and understand all Warnings. Keep this manual for reference. It is your guide to safe and proper operation of this heater.

- Use only kerosene or No. 1 fuel oil to avoid risk of fire or explosion. Never use gasoline, naphtha, paint thinners, alcohol, or other highly flammable fuels.
- Fueling
 - a) Personnel involved with fueling shall be qualified and thoroughly familiar with the manufacturer's instructions and applicable federal, state, and local regulations regarding the safe fueling of heating units.
 - b) Only the type of fuel specified on the heater's data plate shall be used.
 - c) All flame, including the pilot light, if any, shall be extinguished and the heater allowed to cool, prior to fueling.
- d) During fueling, all fuel lines and fuel-line connections shall be inspected for leaks. Any leaks shall be repaired prior to returning the heater to service.
- e) At no time shall more than one day's supply of heater fuel be stored inside a building in the vicinity of the heater. Bulk fuel storage shall be outside the structure.
- f) All fuel storage shall be located a minimum of 25 feet from heaters, torches, welding equipment, and similar sources of ignition (exception: the fuel reservoir integral with the heater unit).
- g) Whenever possible, fuel storage shall be confined to areas where floor penetrations do not permit fuel to drip onto or be ignited by a fire at lower elevation.
- h) Fuel storage shall be in accordance with the federal, state, or local authority having jurisdiction.
- Never use heater where gasoline, paint thinner, or other highly flammable vapors are present.
- Follow all local ordinances and codes when using heater.
- Heaters used in the vicinity of tarpaulins, canvas, or similar enclosure materials shall be located a safe distance from such materials. The recommended minimum safe distance is 10 feet. It is further recommended that these enclosure materials be of a fire retardant nature. These enclosure materials shall be securely fastened to prevent them from igniting or from upsetting the heater due to wind action.
- Use only in well vented areas. Before using heater, provide at least a three-square-foot opening of fresh, outside air for each 100,000 Btu/Hr of rating. This heater produces carbon monoxide, which is listed by the State of California as a reproductive toxin under Proposition 65.
- Use only in places free of flammable vapors or high dust content.
- Use only with the electrical voltage and frequency specified on model plate.
- Use only a three-prong, grounded extension cord.
- Minimum heater clearances from combustibles:
Outlet: 8 Ft. Sides: 4 Ft.
Top: 4 Ft. Rear: 4 Ft.
- Locate heater on a stable and level surface while hot or running or a fire may occur.
- When moving or storing heater, keep heater in a level position or fuel spillage may occur.
- Keep children and animals away from heater.
- Unplug heater when not in use.
- This heater has a built-in thermostat. Plugged-in heater may start at anytime.
- Never use heater in living or sleeping areas.
- Never block air inlet (rear) or air outlet (front) of heater.
- Never move, handle, refuel, or service a hot, operating, or plugged-in heater.
- Never attach duct work to front or rear of heater.
- **Warning to New York City Residents For Use Only At Construction Sites** in accordance with applicable NYC codes under NYC Board of Standards and Appeals calendar number 62-59-SA.

OWNER'S MANUAL

PRODUCT IDENTIFICATION

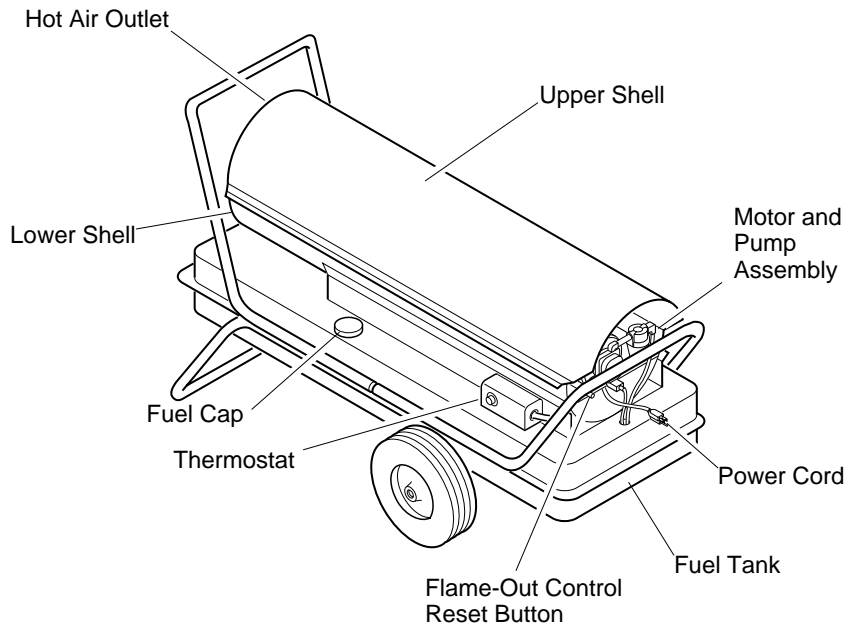


Figure 1 - 350,000 Btu/Hr Model

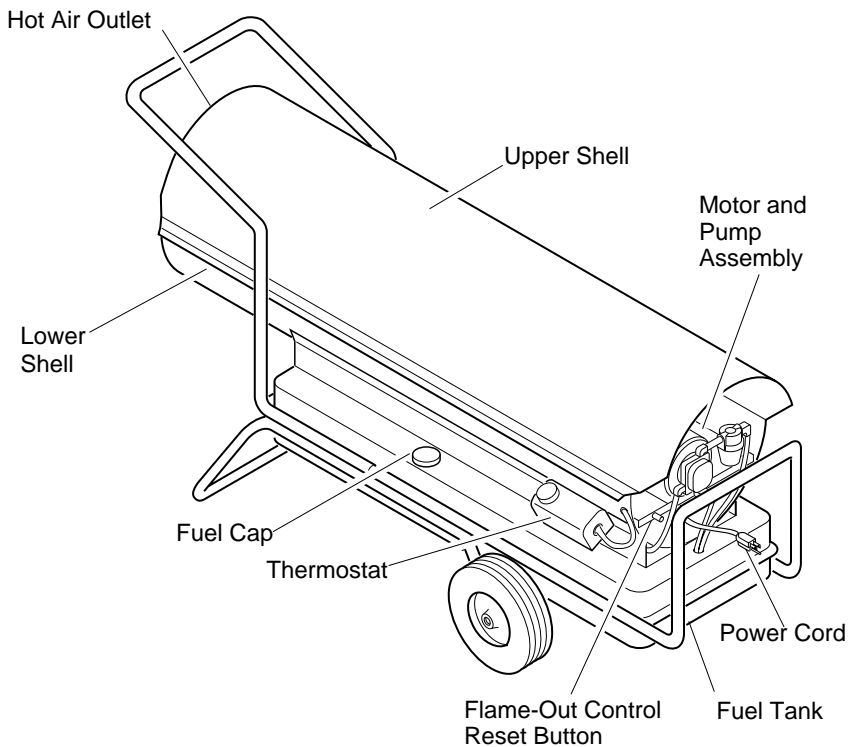


Figure 2 - 600,000 Btu/Hr Model

UNPACKING

1. Remove all protective packing applied to heater for shipment.
2. Remove heater from shipping container.
3. Check heater for any shipping damage. If heater is damaged, promptly inform dealer where you bought heater.

HIGH PRESSURE PORTABLE FORCED AIR HEATER 350,000 AND 600,000 BTU/HR

THEORY OF OPERATION

The Fuel System: The motor turns the fuel pump. The fuel pump pulls fuel from the fuel tank. The fuel pump pushes fuel through a filter and a solenoid valve and out the burner head nozzle. A fine mist of fuel is sprayed into the combustion chamber.

The Air System: The motor turns the fan. The fan pushes air into and around the combustion chamber. This air is heated and provides a stream of clean, hot air.

The Ignition System: The electronic ignitor sends voltage to the spark plug. The spark plug ignites the fuel and air mixture.

The Flame-Out Control System: This system causes the heater to shut down if the flame goes out. It also allows the fan to continue running after normal shutdown of heater. This cools the combustion chamber.

FUELS

⚠ WARNING: Use only kerosene or No. 1 fuel oil to avoid risk of fire or explosion. Never use gasoline, naphtha, paint thinners, alcohol, or other highly flammable fuels.

Do not use heavy fuels such as No. 2 fuel oil or No. 2 diesel. Using heavy fuels will result in:

- clogged fuel filter and nozzle
- carbon build-up on spark plug
- the need of non-toxic anti-icer in fuel during very cold weather

IMPORTANT: Use a KEROSENE ONLY storage container. Be sure storage container is clean. Foreign matter such as rust, dirt, or water will cause flame-out control to shut down heater. Foreign matter may also require you to clean fuel system often.

VENTILATION

⚠ WARNING: Follow the minimum fresh, outside air ventilation requirements. If proper fresh, outside air ventilation is not provided, carbon monoxide poisoning can occur. Provide proper fresh, outside air ventilation before running heater.

Fresh Air Opening Requirements

Heater Size	Square Feet Opening
350,000 Btu/Hr	10.5
600,000 Btu/Hr	18.0

Note: If you use more than one heater, provide extra fresh air. Provide a fresh air opening of at least three square feet for each 100,000 Btu/Hr rating.

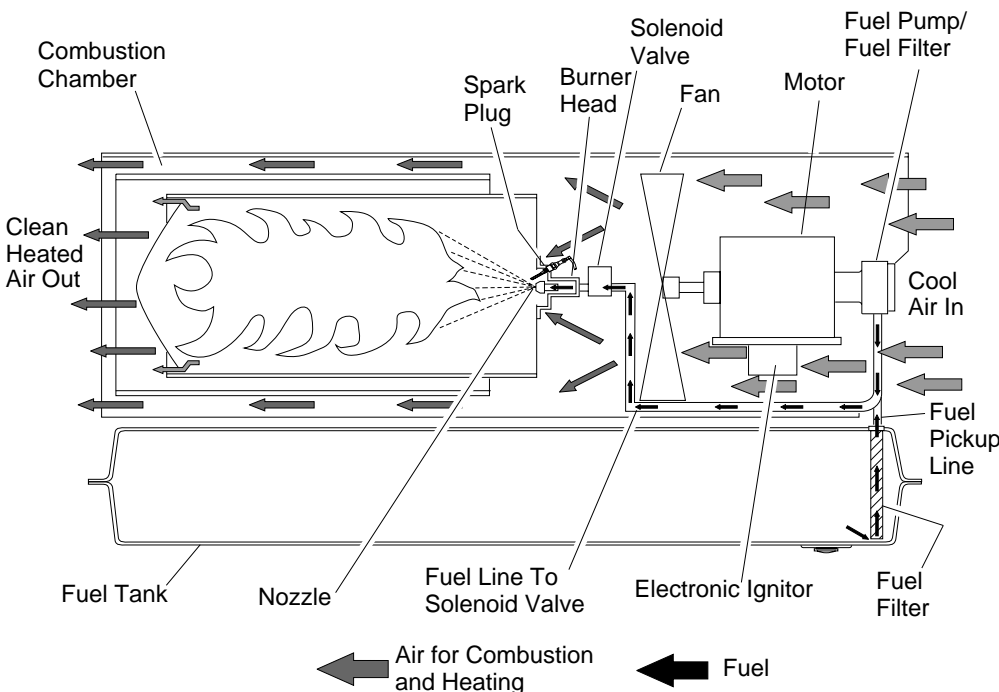


Figure 3 - Cross Section Operational View

OWNER'S MANUAL

OPERATION

⚠ WARNING: Review and understand the warnings in the Safety Information Section. They are needed to safely operate this heater.

TO START HEATER

1. Follow all ventilation and safety information.
2. Fill fuel tank with kerosene or No. 1 fuel oil.
3. Attach fuel cap.
4. Set thermostat dial to desired temperature. *Note:* Thermostat setting must be higher than surrounding air temperature.
5. Plug power cord of heater into three-prong, grounded extension cord. Extension cord must be at least six feet long.

⚠ WARNING: Use only a three-prong, grounded extension cord. Use cord with proper wire size to assure 120 volt operation. See Extension Cord Wire Size Requirements below.

Extension Cord Wire Size Requirements

- 6 to 100 feet long, use 14 AWG rated cord
101 to 200 feet long, use 12 AWG rated cord
201 to 300 feet long, use 10 AWG rated cord
301 to 400 feet long, use 8 AWG rated cord
401 to 500 feet long, use 6 AWG rated cord
6. Plug extension cord into standard 120 volt/60 hertz, three-hole, grounded outlet.
 7. The motor will start when extension cord is plugged into outlet. The heater should ignite at once. If heater does not ignite, restart heater. To restart heater, wait 60 seconds, then push in flame-out control reset button. Flame-out control reset button is at rear of heater near power cord (see Figure 4).

Note: A cold heater may affect the thermostat setting. This thermostat is a general-heating control. It is not intended for precise temperature control. Adjust thermostat until heater cycles at the desired setting.

Note: If starting heater for first time, you may need to restart heater several times before heater ignites. You may also have to do this after taking heater out of storage. To facilitate starting, remove the canister bottom from the pump's fuel filter and fill with fuel. Reassemble filter (see *Pump Fuel Filter*, page 12).

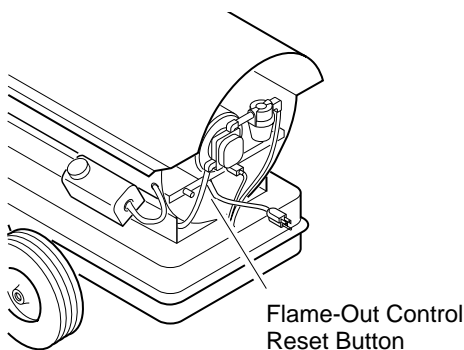


Figure 4 - Flame-Out Control Reset Button

TO STOP HEATER

⚠ CAUTION: Never unplug heater while heater is running. Heater must go through purge cycle. The purge cycle cools the combustion chamber. Damage to heater can occur if combustion chamber is not cooled. Do not restart heater until purge cycle is complete.

1. Turn thermostat dial to lowest temperature setting. This will cause heater flame to go out. The motor will continue to run during the purge cycle. This allows the fan to cool the combustion chamber. When the purge cycle is finished, the motor will stop. Do not unplug heater until purge cycle is finished.
2. Unplug extension cord from outlet.
3. To temporarily stop heater, set thermostat at a temperature lower than air around heater. Heater will cycle back on if air temperature around heater matches thermostat setting.

TO RESTART HEATER

⚠ CAUTION: Do not restart heater until purge cycle is finished. The purge cycle cools the combustion chamber.

1. Wait until purge cycle is finished after stopping heater.
2. Repeat steps under *To Start Heater*.

STORING, TRANSPORTING, OR SHIPPING


Note: If shipping transport companies require fuel tanks to be empty.

1. Drain all fuel from fuel filters, fuel lines, and pump (see *Fuel Filters [Tank Fuel Filter]*, page 12).
2. Clean and flush fuel filter and canister attached to fuel pump (see *Fuel Filters [Pump Fuel Filter]*, page 12).
3. Remove drain plug and drain fuel tank.
4. Replace drain plug.
5. If any debris is noted in old fuel, add 1 or 2 quarts of clean kerosene to tank, stir, and drain again. This will prevent excess debris from clogging filters during future use.
6. Replace fuel cap or drain plug. Properly dispose of old and dirty fuel. Check with local automotive service stations that recycle oil.
7. Add two gallons (350,000 Btu/Hr) or three gallons (600,000 Btu/Hr) of clean kerosene or No. 1 fuel oil to fuel tank.
8. Replace fuel cap.
9. Operate heater for 5 minutes (see *Operation*).
10. Stop heater and let cool completely.
11. Remove drain plug and drain fuel tank.
12. Replace drain plug.
13. Properly dispose of old and dirty fuel.
14. If storing, store heater in a dry location. Make sure storage place is free of dust and corrosive fumes.

IMPORTANT: Do not store kerosene over summer months for use during next heating season. Using old fuel could damage heater.

HIGH PRESSURE PORTABLE FORCED AIR HEATER 350,000 AND 600,000 BTU/HR

PREVENTATIVE MAINTENANCE SCHEDULE

 **WARNING: Never service heater while it is plugged in, operating, or hot. Severe burns and electrical shock can occur.**

Item	How Often	How To
Fuel tank	Flush every 150-200 hours of operation or as needed	See <i>Storing, Transporting, or Shipping</i> , page 5
Filler neck screen	Check for particles in fuel when filling fuel tank. Clean when dirty	Lift out of fuel tank and rinse with clean kerosene
Fuel filter assembly (Fuel tank)	Clean twice a heating season or replace as needed	See <i>Fuel Filters</i> , page 12
Fuel filter lines	Check and tighten loose connections occasionally	See <i>Fuel Lines</i> , Page 12
Fuel filter (Pump)	Clean fuel filter element every 250 hours	See <i>Fuel Filters</i> , page 12
Spark plug	Clean and regap every 300 hours of operation or replace as needed	See <i>Spark Plug</i> , page 10
Fan blades and air deflectors	Clean each season or as needed	See <i>Fan Blades and Air Deflectors</i> , page 10
Air passages around burner head	Check each season for dirt and debris	Remove debris and trash with a clean, soft cloth
Motor	Not required, permanently lubricated	

OWNER'S MANUAL

TROUBLESHOOTING

Note: For additional help, visit DESA International's Technical Service web site at www.desatech.com.

⚠ WARNING: Never service heater while it is plugged in, operating, or hot. Severe burns and electrical shock can occur. Only a qualified service person should service and repair heater.

OBSERVED PROBLEM	POSSIBLE CAUSE	REMEDY
Motor does not start when heater is plugged in and thermostat setting is higher than surrounding air temperature	<ol style="list-style-type: none">1. No power or low voltage at heater due to:<ol style="list-style-type: none">A) Damaged power cord or extension cordB) Wrong size extension cordC) Heater plugged into outlet with voltage lower than 120 volt2. Loose electrical connections3. Motor overload protector tripped due to:<ol style="list-style-type: none">A) Dirty fanB) Debris pulled into fan area by fanC) Binding pumpD) Low voltage4. Flame-out control not reset5. Damaged flame-out control6. Damaged power relay7. Damaged thermostat8. Binding pump	<ol style="list-style-type: none">1. A) Check condition of power cord or extension cord. Repair or replace damaged B) Use extension cord with proper wire size (see <i>To Start Heater</i>, page 5) C) Make sure heater is plugged into 120 volt/60 hertz outlet2. Check connections. Tighten if loose3. A) See <i>Fan Blades and Air Deflectors</i>, page 10 B) Remove debris from fan and fan guard area C) Turn fan by hand. If fan is hard to turn, see <i>Pump</i>, page 11 D) See steps B and C under item 1 above <p><i>Note:</i> Be sure to reset motor overload protector by pressing reset button on top of motor.</p> <ol style="list-style-type: none">4. Press and release flame-out control reset button. See Figure 4, page 5 for button location5. Replace flame-out control6. Replace power relay7. Replace thermostat8. Turn fan by hand. If fan is hard to turn, see <i>Pump</i>, page 11

HIGH PRESSURE PORTABLE FORCED AIR HEATER 350,000 AND 600,000 BTU/HR

TROUBLESHOOTING

Continued

OBSERVED PROBLEM	POSSIBLE CAUSE	REMEDY
Heater will not ignite, but motor runs for a short period of time	<ol style="list-style-type: none">1. A) Fuel tank empty B) Water in fuel C) Wrong fuel2. Dirt in nozzle3. Very low temperature may cause fuel to thicken and not flow4. Dirty fuel filters5. Wrong pump pressure6. Spark plug wire disconnected from plug7. Spark plug problems due to:<ol style="list-style-type: none">A) Wrong gapB) Plug wet with fuelC) Carbon deposits on plugD) Damaged plug8. Solenoid valve not opening	<ol style="list-style-type: none">1. A) Add fuel to tank. B) Check fuel tank for bubbles of water in bottom. If found, remove fuel (see <i>Storing, Transporting, or Shipping</i>, page 5). Clean tank and fuel filters (see <i>Fuel Filters</i>, page 12). Fill with clean fuel. C) Remove wrong fuel (see <i>Storing, Transporting, or Shipping</i>, page 5). Clean tank and fuel filters (see <i>Fuel Filters</i>, page 12). Fill with correct fuel2. Replace nozzle (see <i>Nozzle</i>, page 10)3. Move heater to warmer place until fuel flows freely4. Clean fuel filters (see <i>Fuel Filters</i>, page 12)5. Adjust pump pressure (see <i>Pump Pressure Adjustment</i>, page 11)6. Connect spark plug wire to spark plug7. A) Adjust electrode gap to .075" (see <i>Spark Plug</i>, page 10) B) Clean fuel from spark plug with clean, soft cloth C) Replace plug if heavily coated with carbon (see <i>Spark Plug</i>, page 10) D) Inspect plug for worn or eroded electrodes. If found, replace plug (see <i>Spark Plug</i>, page 10)8. Check electrical connections and voltage to solenoid. If good, replace solenoid valve
	<ol style="list-style-type: none">9. Damaged electronic ignitor	<ol style="list-style-type: none">9. Replace electronic ignitor

 **WARNING: High Voltage!**

OWNER'S MANUAL

TROUBLESHOOTING

Continued

OBSERVED PROBLEM	POSSIBLE CAUSE	REMEDY
Heater ignites, but flame-out control shuts off heater after a short period of time	<ol style="list-style-type: none">1. Wrong pump pressure2. Dirty fuel filters3. Dirt in nozzle4. Dirty photocell lens5. Open or damaged photocell6. Bad flame-out control7. Damaged fan switch	<ol style="list-style-type: none">1. Adjust pump pressure (see <i>Pump Pressure Adjustment</i>, page 11)2. Clean fuel filters (see <i>Fuel Filters</i>, page 12)3. Replace nozzle (see <i>Nozzle</i>, page 10)4. Clean photocell lens with clean cotton swab5. Replace photocell6. Replace flame-out control7. Replace fan switch
Heater burns, but puffs of smoke can be seen Heater does not burn steady Heater burns with odor Heater smokes continuously	<ol style="list-style-type: none">1. Wrong pump pressure2. A) Heater almost out of fuel B) Water condensation in fuel tank C) Wrong fuel3. Dirty fuel filters4. Air leak in suction system5. Dirty nozzle6. Low voltage causing motor to operate below rated speed7. Loose fuel line	<ol style="list-style-type: none">1. Adjust pump pressure (see <i>Pump Pressure Adjustment</i>, page 11)2. A) Add fuel to tank B) Check fuel tank for bubbles of water in bottom. If found, remove fuel (see <i>Storing, Transporting, or Shipping</i>, page 5). Clean tank and fuel filters (see <i>Fuel Filters</i>, page 12). Fill with clean fuel C) Remove wrong fuel (see <i>Storing, Transporting, or Shipping</i>, page 5). Clean tank and fuel filters (see <i>Fuel Filters</i>, page 12). Fill with correct fuel3. Clean fuel filters (see <i>Fuel Filters</i>, page 12)4. Tighten all fuel line connections (see <i>Fuel Lines</i>, page 12)5. Replace nozzle (see <i>Nozzle</i>, page 10)6. Check voltage at heater. Voltage at heater should be not less than 90% of rated voltage (108V minimum for 120V heaters)7. Check and tighten all fuel line connections (see <i>Fuel Lines</i>, page 12)

HIGH PRESSURE PORTABLE FORCED AIR HEATER 350,000 AND 600,000 BTU/HR

SERVICE PROCEDURES

⚠ WARNING: Never service heater while it is plugged in, operating, or hot. Severe burns and electrical shock can occur. Only a qualified service person should service and repair heater.

UPPER SHELL REMOVAL

1. Remove screws along each side and top of heater using 5/16" nut-driver. These screws attach upper and lower shells together (see Figure 5).
2. Lift upper shell off.

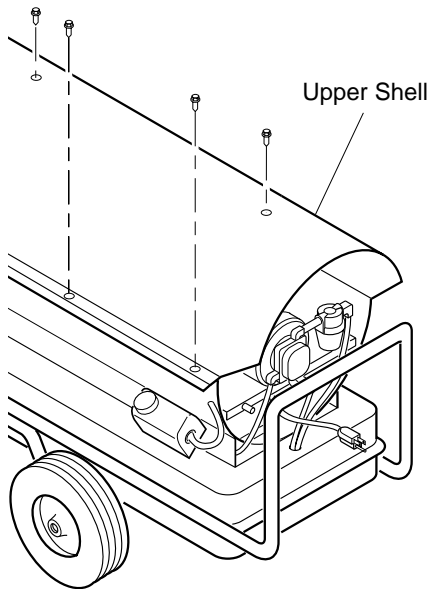


Figure 5 - Upper Shell Removal, 600,000 Btu/Hr Model

FAN BLADES AND AIR DEFLECTORS

1. Remove upper shell (see column 1).
2. Clean fan blades and air deflectors with clean, soft cloth moistened with kerosene or solvent (see Figure 6).
3. Dry fan blades and air deflectors thoroughly.
4. Replace upper shell.

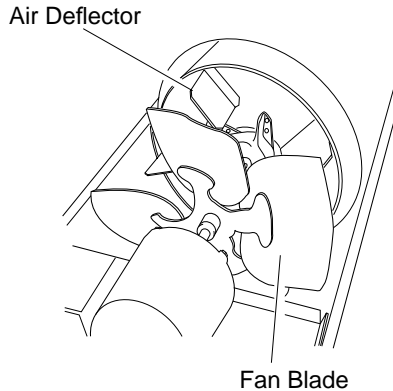


Figure 6 - Fan Blades and Air Deflectors

SPARK PLUG

1. Remove upper shell (see column 1).
2. Remove spark plug wire from spark plug (see Figure 7).
3. Remove spark plug from burner head using 13/16" open-end wrench (see Figure 7).
4. Replace spark plug if damaged or heavily coated with carbon.
5. Clean and regap spark plug electrodes to .075 inch (see Figure 8).
6. Install spark plug in burner head.
7. Attach spark plug wire to spark plug.
8. Replace upper shell.

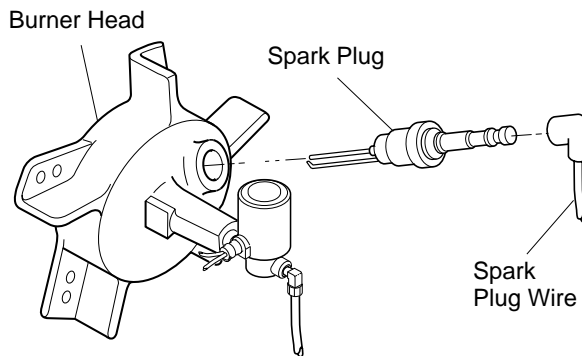


Figure 7 - Spark Plug Removal

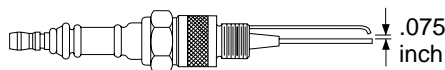


Figure 8 - Spark Plug Gap

NOZZLE

1. Remove upper shell (see column 1).
2. Remove fuel line from solenoid valve using 7/16" wrench.
3. Remove spark plug wire from spark plug.
4. Remove spark plug from burner head using 13/16" open-end wrench.
5. Remove five screws using 5/16" nut-driver and remove burner head from combustion chamber.
6. Place burner head into vise and lightly tighten.
7. Carefully remove nozzle from burner head using 5/8" socket wrench (see Figure 9, page 11).
8. Inspect nozzle for damage. If damaged or clogged, replace nozzle.
9. Make sure plug is in place on burner head.
10. Replace nozzle into burner head and tighten firmly (175-200 inch-pounds).
11. Attach burner head to combustion chamber.
12. Install spark plug in burner head.
13. Attach spark plug wire to spark plug.
14. Attach fuel line to solenoid valve. Tighten firmly.
15. Replace upper shell.

SERVICE PROCEDURES

Continued

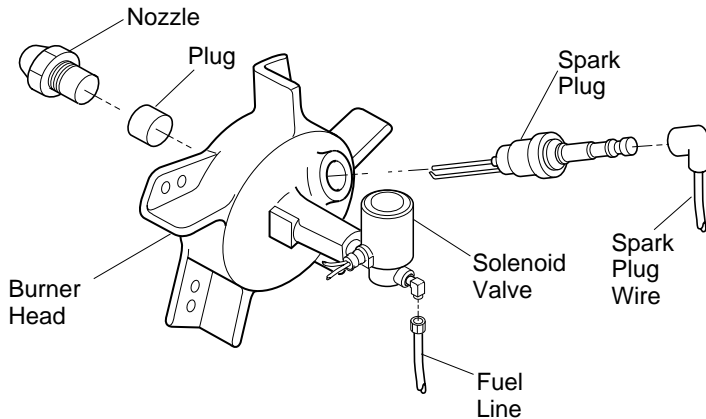
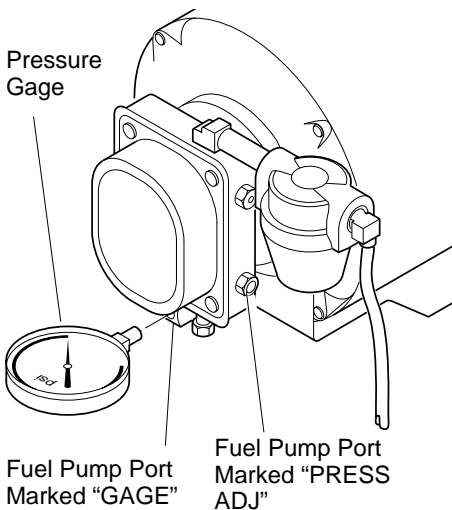


Figure 9 - Replacing Nozzle

Pump Pressure Adjustment

1. Remove pressure gage plug from fuel pump port marked "GAGE."
2. Install accessory pressure gage (part number M4574) to fuel pump port marked "GAGE" (see Figure 10).
3. Start heater (see *Operation*, page 5). Allow motor to reach full speed.
4. Adjust pressure. Use small flat blade screwdriver to turn slotted screw at fuel pump port marked "PRESS ADJ." Turn screw clockwise to increase pressure. Turn screw counterclockwise to decrease pressure. See specifications at right for correct pressure for each model.
5. Stop heater (see page 5).
6. Remove pressure gage. Replace pressure gage plug in fuel pump port marked "GAGE."



Model	Pump Pressure
350,000 Btu/Hr	100 PSI
600,000 Btu/Hr	110 PSI

Figure 10 - Adjusting Pump Pressure

PUMP (Procedure if Pump is Binding)

1. Remove upper shell (see page 10).
2. Loosen hex screw on flange clamp at rear of motor with 5/16" nut-driver (see Figure 11).
3. Turn fan with hand (see Figure 12).
4. If fan turns freely, tighten screw on flange clamp.
5. If fan does not turn freely, replace pump.
6. Replace upper shell.

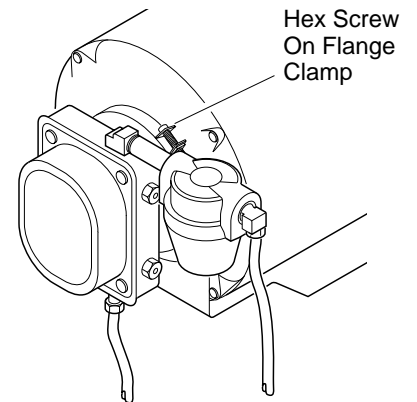


Figure 11 - Location of Screw on Flange Clamp

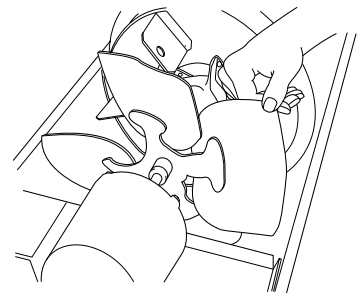


Figure 12 - Turning Fan with Hand

Continued

HIGH PRESSURE PORTABLE FORCED AIR HEATER 350,000 AND 600,000 BTU/HR

SERVICE PROCEDURES *Continued*

FUEL LINES (Procedure for Tightening Fuel Lines)

1. Remove upper shell (see page 10).
2. Use an adjustable wrench as a backup on 90° fittings.
3. Use 7/16" wrench and tighten fuel lines at solenoid valve (see Figure 13), pump, and pump fuel filter assembly (see Figure 14).

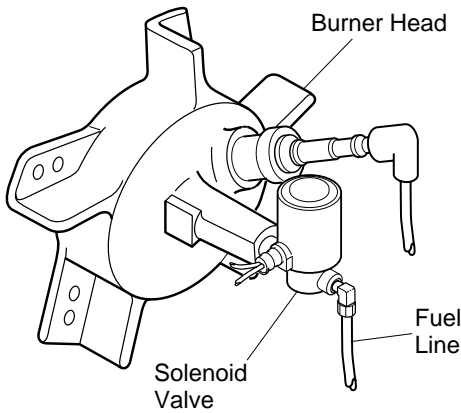


Figure 13 - Fuel Line at Solenoid Valve

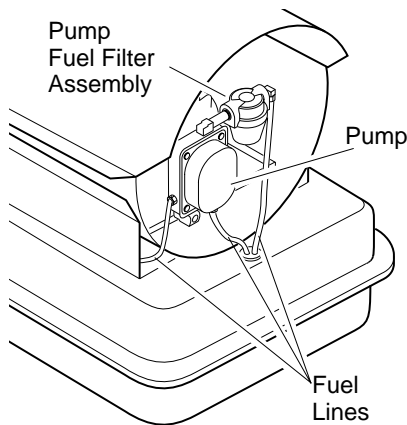


Figure 14 - Fuel Lines at Pump and Pump Fuel Filter Assembly

FUEL FILTERS

A. Tank Fuel Filter

1. Disconnect fuel lines from pump and pump fuel filter assembly with 7/16" wrench (see Figure 15).
2. Carefully pry fuel filter loose from fuel tank with flat end of screwdriver.
3. Inspect fuel filter for water or dirt.
4. Rinse fuel filter and fuel lines with clean kerosene.
5. Replace fuel filter into fuel tank.
6. Connect fuel lines to pump and pump fuel filter assembly.

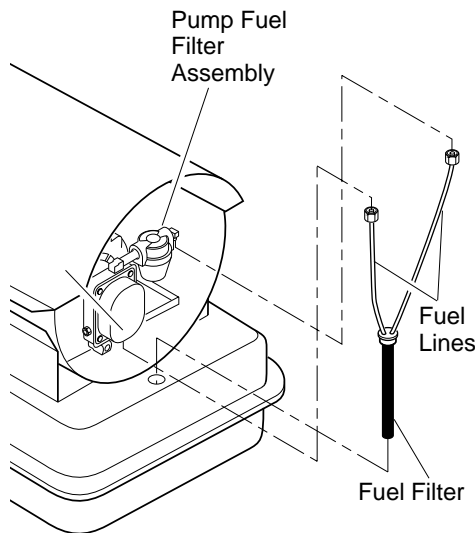


Figure 15 - Removing Tank Fuel Filter

B. Pump Fuel Filter

1. Unscrew canister bottom from canister top with adjustable pliers.
2. Remove fuel filter and gasket from canister bottom (see Figure 16).
3. Inspect canister bottom and fuel filter for water droplets or dirt.
4. Rinse canister bottom in clean kerosene.
5. Wipe inside of canister bottom dry with clean cloth.
6. Rinse fuel filter in clean kerosene.
7. Put clean fuel filter and gasket back in canister bottom.
8. Screw canister bottom into canister top.
9. Tighten securely.

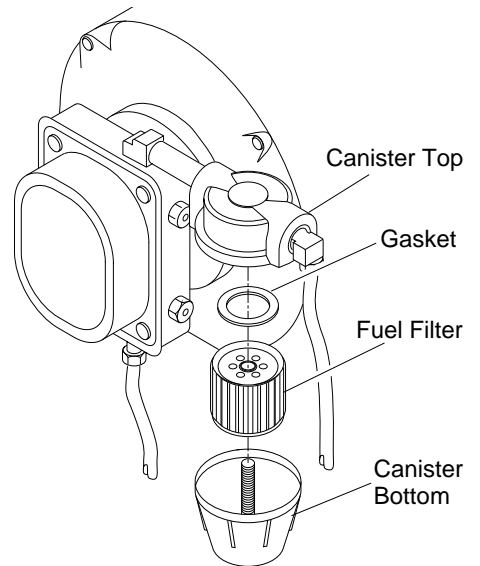


Figure 16 - Fuel Pump Filter and Canister

OWNER'S MANUAL

SPECIFICATIONS

	350,000 Btu/Hr	600,000 Btu/Hr
Output Rating (Btu/Hr)	350,000	600,000
Fuel	Use Only Kerosene or No. 1 Fuel Oil	
Fuel Tank Capacity (U.S. Gallons)	30	36
Fuel Consumption (Gallons Per Hr)	2.5	4
Electric Requirements	120V/60 Hz	120V/60 Hz
Amperage (Normal Run)	7.1	11
Motor RPM	1725	1725
Fuel Pump Pressure (PSI)	100	110
Spark Plug Gap	.075"	.075"
Weight (approx. lbs.) Dry	180	285
With Full Fuel Tank	390	550

WIRING DIAGRAM

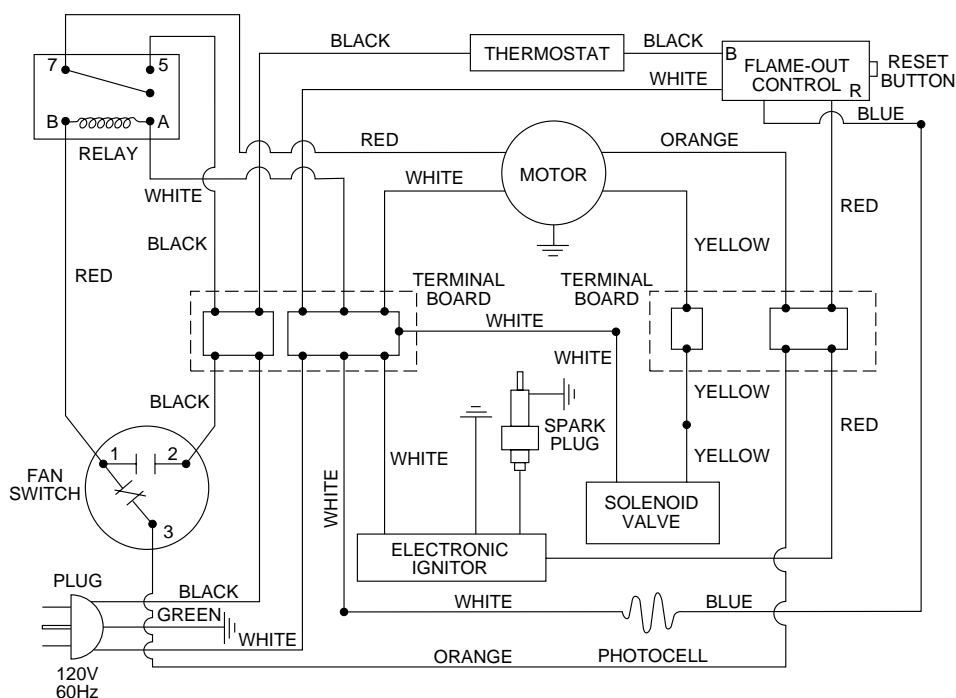


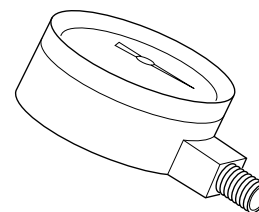
Figure 17 - Wiring Diagram

MAINTENANCE KITS

Kit	Part Number
Flame-Out Control	HA3003
Spark Plug	HA3012

ACCESSORY

Purchase this heater accessory from your nearest dealer or service center. If they cannot supply this accessory, either contact your nearest Parts Central or DESA International's Parts Department at 1-800-972-7879 for information. Parts Centrals are listed in the Authorized Service Center booklet supplied with heater. You can also write to the address listed on the back page of this manual.



FUEL PRESSURE GAGE M4574

Special tool to check fuel pump pressure

TECHNICAL SERVICE

You may have further questions about installation, operation, or troubleshooting.

If so, contact DESA International's Technical Service Department at 1-800-323-5190.

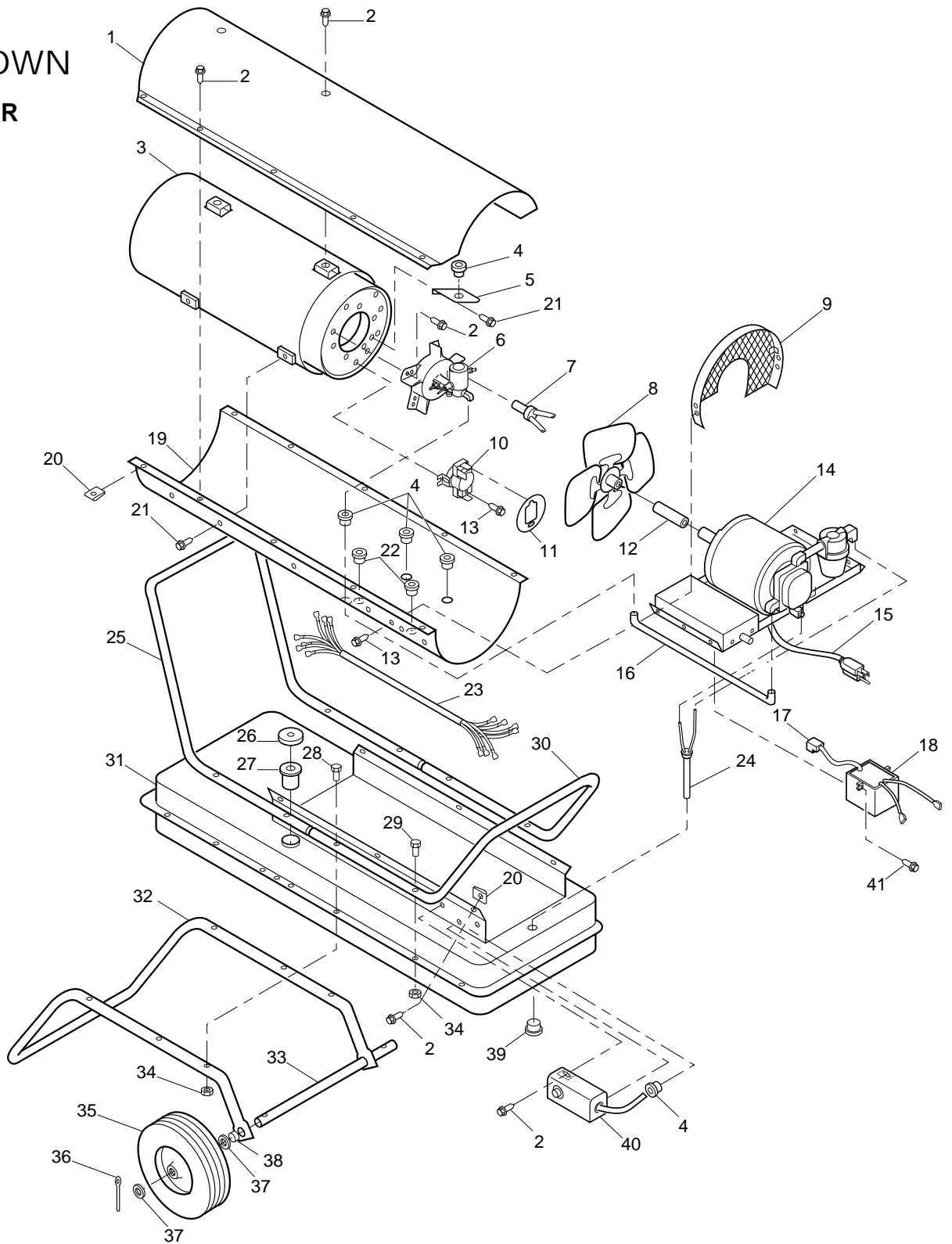
You can also visit DESA International's Technical Services web site at

www.desatech.com.

HIGH PRESSURE PORTABLE FORCED AIR HEATER 350,000 AND 600,000 BTU/HR

ILLUSTRATED PARTS BREAKDOWN

350,000 BTU/HR



OWNER'S MANUAL

PARTS LIST

This list contains replaceable parts used in your heater. When ordering parts, follow the instructions listed under Repair Service on the back page of this manual.

350,000 BTU/HR

REF. NO.	PART NO.	DESCRIPTION	QTY.
1	099329-02	Upper shell model B350D (Yellow)	1
2	M11084-27	Screw, #10-16 x 1/2"	15
3	M50542-01	Combustion chamber & shield	1
4	M30865-02	Bushing	7
5	M50086	Air deflector	5
6	†	Burner head assembly	1
7	M16656-18	Photocell assembly	1
8	M50121	Fan	1
9	M50097-01AA	Fan guard	1
10	M51336-02	Fan switch	1
11	M51160-01	Fan switch cover	1
12	M50278	Sleeve	1
13	M11084-26	Screw, #10-16 x 3/8"	13
14	†	Motor & pump assembly	1
15	099896-01	Power cord	1
16	M50295	Fuel line	1
17	M50050	Ignition boot	1
18	102482-04	Electronic Ignitor	1
19	099329-01	Lower shell model B350D (Yellow)	1
20	M11271-8	Clip nut	16
21	M11084-3	Screw, #12-14 x 1/2"	14
22	M50104-02	Bushing	2
23	099509-01	Wire harness	1
24	M50115-01	Fuel line assembly	1
25	M50062-03	Front handle	1
26	097702-01	Fuel cap	1
27	HA2210	Filler neck screen	1
28	HC4-18C	Screw, 1/4-20 x 2 1/4"	6
29	M51043-01	Screw, 1/4-20 x 1 1/2"	2
30	M50062	Rear handle	1
31	098513-05	Fuel tank	1
32	M50063	Wheel support frame	1
33	M18774	Axle	1
34	NTC-4C	Hex lock nut, 1/4-20	8
35	M50389	Wheel	2
36	C5-10C	Cotter pin, 5/32 x 1 1/4"	2
37	WP-10C	Flatwasher, 5/8"	4
38	M50296	Wheel spacer	2
39	M27417	Drain plug	1
40	099895-01	Thermostat	1
41	M11084-29	Screw, #10-16 x 3/4"	2

†Not available as complete assembly. See page 18.

OWNER'S MANUAL

PARTS LIST

600,000 BTU/HR

This list contains replaceable parts used in your heater. When ordering parts, follow the instructions listed under Repair Service on the back page of this manual.

REF. NO.	PART NO.	DESCRIPTION	QTY.
1	099329-04	Upper shell model B600D (Yellow)	1
2	M11084-27	Screw, #10-16 x 1/2"	28
3	M50543-01	Combustion chamber & shield	1
4	M30865-02	Bushing	5
5	M50157	Air deflector	5
6	†	Burner head assembly	1
7	104679-01	Photocell assembly	1
8	M50194	Fan	1
9	M50186-01AA	Fan guard	1
10	M51336-02	Fan switch	1
11	M51160-01	Fan switch cover	1
12	M50278	Sleeve	1
13	M11084-26	Screw, #10-16 x 3/8"	15
14	†	Motor & pump assembly	1
15	NTC-4C	Hex nut, 1/4-20	18
16	M11271-8	Clip nut	18
17	M11084-3	Screw, #12-14 x 1/2"	4
18	M50104-02	Bushing	2
19	099329-03	Lower shell model B600D (Yellow)	1
20	M50119-01	Fuel line	1
21	099896-01	Power cord	1
22	M50388AB	Support bracket model B600D (Yellow)	2
23	HC4-3C	Screw, 1/4-20 x 3/8"	4
24	M50224	Front handle	1
25	M51043-01	Screw, 1/4-20 x 1 1/2"	6
26	097702-01	Fuel cap	1
27	HA2210	Filler neck screen	1
28	099509-02	Wire harness	1
29	M28872-01	Rear handle	1
30	M50115-02	Fuel line assembly	1
31	M50050	Ignition boot	1
32	102482-04	Electronic Ignitor	1
33	098513-07	Fuel tank	1
34	HC4-22C	Screw, 1/4-20 x 2 3/4"	8
35	M28140-02	Wheel support frame	1
36	M18774	Axle	1
37	M27417	Drain plug	1
38	RC1-3C	Screw, #6-32 x 3/8"	2
39	099895-01	Thermostat	1
40	M25121B	Thermostat bracket (Black)	1
41	M50389	Wheel	2
42	C5-10C	Cotter pin, 5/32 x 1 1/4"	2
43	WP-10C	Flatwasher, 5/8"	4
44	M50296	Wheel spacer	2
45	104413-01	Photocell Bracket	1
46	M10908-2	Screw, #6-32 x 3/8"	2
47	M11084-29	Screw, #10-16 x 3/4"	2
	**	Internal lockwasher No. 6	2
	NPC-1C Δ	Nut, 6-32	2

† Not available as complete assembly. See page 18.

Δ Not shown.

** Standard hardware item

HIGH PRESSURE PORTABLE FORCED AIR HEATER 350,000 AND 600,000 BTU/HR

Burner Head Assembly 350,000 and 600,000 Btu/Hr

REF NO.	PART NO.	DESCRIPTION	QTY.
1	M10908-2	Screw, #6-32 x 3/8" (350,000 Btu/Hr Only)	2
2	099229-01	Photocell bracket (350,000 Btu/Hr Only)	1
3	HA3012	Spark plug	1
4	M50112	Nozzle (350,000 Btu/Hr)	1
	M30765	Nozzle (600,000 Btu/Hr)	1
5	M51170-01	Plug	1
6	M50924-02	Burner head body	1
7	69246	Straight nipple	1
8	M50077	Solenoid valve	1
9	M50297	Compression elbow	1

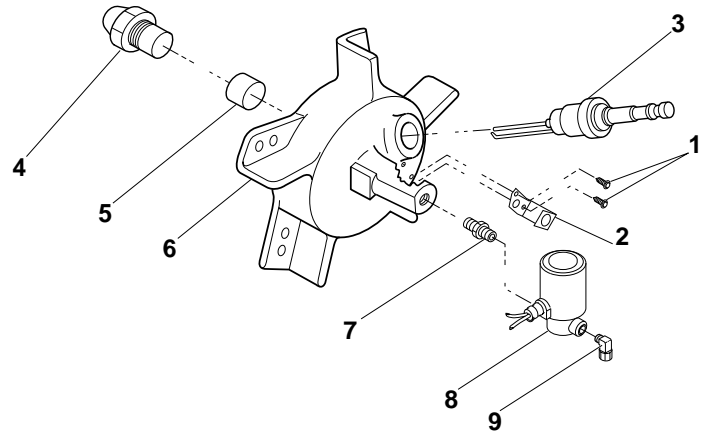


Figure 18 - Burner Head Assembly

Motor and Pump Assembly 350,000 and 600,000 Btu/Hr

REF. NO.	PART NO.	DESCRIPTION	QTY.
1	097495-02AA	Wiring cover	1
2	HF5-5C	Screw, 5/16-24 x 5/16"	4
3	WLE-5	External lockwasher, 5/16"	4
4	M11084-26	Screw, #10-16 x 3/8"	3
5	099562-01	Motor (350,000 Btu/Hr)	1
	099562-02	Motor (600,000 Btu/Hr)	1
6	M50116	Flange clamp (holds pump to motor)	1
7	099520-01AA	Motor support (350,000 Btu/Hr)	1
	101552-01	Motor support (600,000 Btu/Hr)	1
8	57413	Street elbow	2
9	M17499-2	Pipe nipple	1
10	098102-01	Fuel filter assembly	1
	098103-01	Filter element (inside fuel filter assembly, includes rubber gaskets)	1
11	M50114-02	90° Male elbow	1
12	M50297	Compression elbow	1
13	M50113-02	Straight fitting	1
14	098560-01	Fuel pump	1
15	**	Lockwasher, 5/16"	4
16	NPF-5C	Hex nut, 5/16-24"	4
17	HA3003	Flame-out control	1
18	097491-01	Power relay	1
19	101547-01	Snap bushing	3
20	M10908-2	Screw, #6-32 x 3/8"	2
21	101504-01	Strain relief bushing	1
22	M10908-14	Screw, #8-32 x 3/8"	1
23	099125-05	Terminal board	1
24	099125-04	Terminal board	1
25	099157-01	Rivet	2

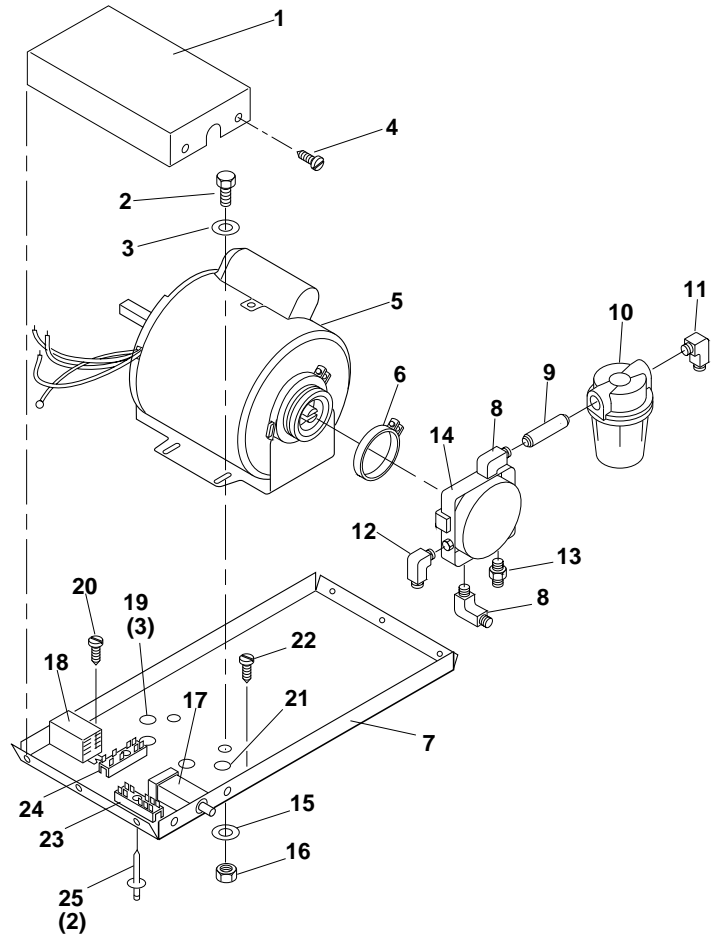


Figure 19 - Motor And Pump Assembly

** Standard hardware item

WARRANTY AND REPAIR SERVICE

LIMITED WARRANTY

DESA International warrants this product and any parts thereof, to be free from defects in materials and workmanship for one (1) year from the date of first purchase when operated and maintained in accordance with instructions. This warranty is extended only to the original retail purchaser, when proof of purchase is provided.

This warranty covers only the cost of parts and labor required to restore the product to proper operating condition. Transportation and incidental costs associated with warranty repairs are not reimbursable under this warranty.

Warranty service is available only through authorized dealers and service centers.

This warranty does not cover defects resulting from misuse, abuse, negligence, accidents, lack of proper maintenance, normal wear, alteration, modification, tampering, contaminated fuels, repair using improper parts, or repair by anyone other than an authorized dealer or service center. Routine maintenance is the responsibility of the owner.

THIS EXPRESS WARRANTY IS GIVEN IN LIEU OF ANY OTHER WARRANTY EITHER EXPRESSED OR IMPLIED, INCLUDING WARRANTIES OF MERCHANTABILITY AND FITNESS FOR A PARTICULAR PURPOSE.

DESA International assumes no responsibility for indirect, incidental or consequential damages. Some states do not allow the exclusion or limitation of incidental or consequential damages, or limitations or exclusions may not apply to you. This Limited Warranty gives you specific legal rights and you may also have other rights which vary from state to state.

PARTS AND SERVICE UNDER WARRANTY

Should your heater require service, return it to your nearest authorized service center. Proof of purchase must be presented with the heater. The heater will be inspected. A defect may be caused by faulty materials or workmanship. If so, DESA International will repair or replace the heater without charge. If they cannot supply original replacement part(s), either contact your nearest Parts Central or call DESA International's Technical Service Department at 1-800-323-5190.

When calling DESA International, have ready

- your name
- your address
- model number of your heater
- how heater was malfunctioning
- proof of purchase

Usually, we will ask you to return the defective part to the factory.

PARTS AND REPAIR SERVICE

Return your heater to your nearest authorized service center. Repairs not covered by the warranty will be billed at standard prices. If they cannot supply original replacement part(s), either contact your nearest Parts Central or call DESA International's Parts Department at 1-800-972-7879 for information.

When calling DESA International, have ready

- model number of your heater
- the replacement part number

A service manual may be purchased from the address listed below. Send a check for \$5.00 payable to DESA International.

When writing for information regarding your heater, be sure to include the model number and serial number as shown on the model plate.

Each service center is independently owned and operated.

We reserve the right to amend these specifications at any time without notice.

KEEP THIS WARRANTY

Model No. _____
Serial No. _____
Date of Purchase _____

(To be filled in by purchaser)

DESA

INTERNATIONAL
Corporate Headquarters

2701 Industrial Drive
P.O. Box 90004
Bowling Green, Kentucky 42102-9004

www.desatech.com



099507 01

NOT A UPC

For information, write: DESA International, P.O. Box 90004
Bowling Green, Kentucky 42102-9004 ATTN: Customer Service Department
When writing, always include Model number and Serial number.

099507-01
Rev. L
06/99